

2/22/2015

Vaporproof Strip - 4 Foot

1 - 3 Lamps

Vaporproof Fluorescent



Project:	
Catalog#:	
Approved by:	

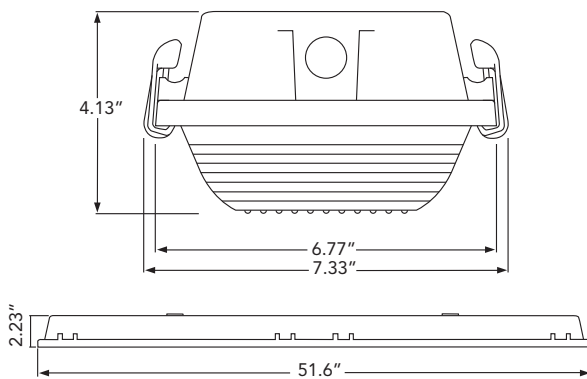
Applications

- | | |
|--------------------|---------------------|
| Entrance Lighting | Beverage Industry |
| Car Washes | Food Processing |
| Public Access | Construction Sites |
| Parking Structures | Industrial Lighting |

Certifications



Dimensional Drawings



Description

VSA4 series 4' fluorescent vaporproof strip fixture is gasketed to provide dust and moisture resistant illumination. This fixture operates up to three T8 or T5HO lamps, and as a standard feature, it comes with a Howard ballast.

Features

Housing

- One-piece upper body; no seams to crack, break, or leak
- Reinforced fiberglass body is rugged and corrosion resistant
- 5VA Flammability Rating
- White plastic latches standard
- Eight latches for positive lens retention
- Latches designed to accept screws to make enclosure tamper resistant
 - White Polycarbonate latches accepts #4 - 1/2" screw
 - Stainless steel latches accepts #6 - 3/8" screw (optional)
- White polyethylene molded end plugs for use as knockouts
- High gloss, baked enamel reflective front

Gasket

- Closed cell polyester gasket
- Poured gasket seamlessly fills channel for maximum seal
- Gasket has dry skin that will not stick to the mating surface
- High gasket compression recovery ensures a solid seal over life of fixture

Diffuser

- Injection molded for maximum strength and precise detail
- Lineal prisms on sides reduce glare
- Continuous formed perimeter provides for positive seal
- Materials:
 - Option A: 100% Virgin Impact Resistant Acrylic
Long lasting clarity and resistance to weathering
 - Option P: UV Stabilized Polycarbonate
Maximum impact resistance
 - Option D: Deep Lens, Impact Resistant Clear Acrylic with diffused ends
 - Option F: Deep Lens, Impact Resistant Frosted Acrylic

Installation

- Shipped fully wired with Howard ballast
- Easy access to wiring compartment and ballast via removable gear tray
- Gear tray tethered to housing by two lanyards for extra safety
- Knockouts on each end
- Spring-mount, stainless steel bracket allows for surface or chain mount
- Brackets install first, then snap securely onto fixture
- NEC compliant luminaire power disconnect standard

Ballast

- Electronic, Inherent Thermal Protection, Class P, Sound rated A
- UL Listed

Quality Assurance

- System Tested, Designed, Approved, and Manufactured by Howard Lighting Products in Mendenhall, Mississippi.

Specifications subject to change without notice.

Vaporproof Strip - 4 Foot

1 - 3 Lamps

Project:	
Catalog#:	
Approved by:	

Ordering Information

Model Family	Lens	No. of Lamps	Lamp Type/Wattage ⁽¹⁾	CRI/CCT				Ballast (See Table1)	Input Volts	Factory Installed Options	Cordset Options	T B A	Pack.	
VSA4	A	2	32	A				SE	MV	000	00	0	I	
VSA4	A: Impact resistant acrylic P: UV stabilized polycarb. D: Deep Lens, Impact Resistant Clear Acrylic with diffused ends F: Deep impact resistant frosted acrylic	1 2 3	28: F28T8 32: F32T8 28:F28T5 54: F54T5HO	CRI	CCT	High Lumen	T8	T5	SE: SBF High Eff ⁽²⁾ HE: HBF High Eff ⁽²⁾ LE: LBF High Eff ⁽²⁾ PS: PRS T5 P8: PRS T8 ⁽²⁾	MV: 120-277v HV: 347-480v (T5HO only) AX: 480-277 ⁽³⁾	000: No FIOs E: Enhanced specular aluminum reflector G: Garage Configuration with Miro-4 reflector ⁽⁴⁾ H: Chain hanging bracket I: Special Wiring Instructions S: Stainless steel latches W: Wide distribution reflector ⁽⁵⁾	00: Standard Disconnect 01: 6', no plug 02: 10', no plug 03: 6', twist lock 120v 04: 10' twist lock 120v 05: 6' non twist lock 120v 06: 10' non twist lock 120v 07: 6' twist lock 277v 08: 10' twist lock 277v 09: 6' non twist lock 277v 10: 10' non twist lock 277v 11: 16/3, no plug spec len 12: 16/4, no plug spec len 16: 16', non twist lock 277v 17: 18/3, no plug spec len 18: 6', twist lock 480v 19: 10', twist lock 480v 20: 16', twist lock 120v 21: 16', twist lock 277v		I: Single
				A: No Lamps										
				B: 75 3000			X							
				C: 75 3500			X							
				D: 75 4100			X							
				E: 75 5000			X							
				F: 85 3000			X	X						
				G: 85 3500			X	X						
				H: 85 4100			X	X						
				I: 85 5000			X	X						
				J: 85 6500				X						
				K: 85 3000	Yes		X							
				L: 85 3500	Yes		X							
				M: 85 4100	Yes		X							
				N: 85 5000	Yes		X							

(1) Lamp installation available.
 (2) High Efficiency ballasts are CEE Listed.
 (3) Step-down autotransformer. Allows hook-up of standard MV ballast to 480v.
 (4) Garage application reflector works with 3 lamp configuration and deep lens (options D & F) only.
 (5) Wide distribution reflector available with lens options D & F (frosted acrylic)

Table1:

SE	Standard Ballast Factor High Efficiency Instant Start T8 Ballast
HE	High Ballast Factor High Efficiency Instant Start T8 Ballast
LE	Low Ballast Factor High Efficiency Instant Start T8 Ballast
PS	Program Rapid Start T5 Ballast
P8	Program Rapid Start High Efficiency T8 Ballast

Specifications subject to change without notice.

Sample Ordering Number:
VSA4 A 2 32A SE MV 000 00 I
 VSA4 Series 4-Foot Vaporproof Strip
 Impact resistant acrylic lens
 2-lamps (none installed)
 F32T8 Standard Ballast Factor High Efficiency Ballast
 Multi-volt (120-277v)
 No Factory Installed Options
 No Cordset
 Single Packaging

RAPID SHIP MODELS
AVAILABLE FOR NEXT DAY SHIPMENT

- VSA4A232ASEMV000000I
- VSA4A254APSMV000000I

2/22/2015

Vaporproof Fluorescent

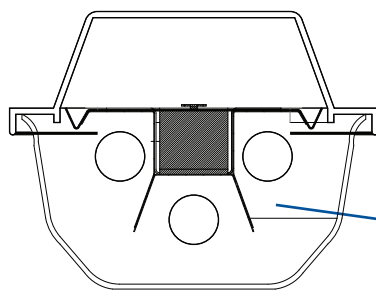
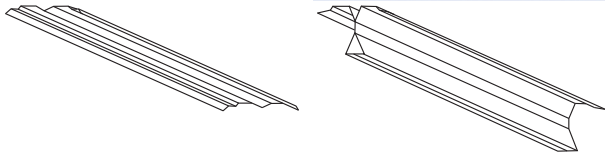
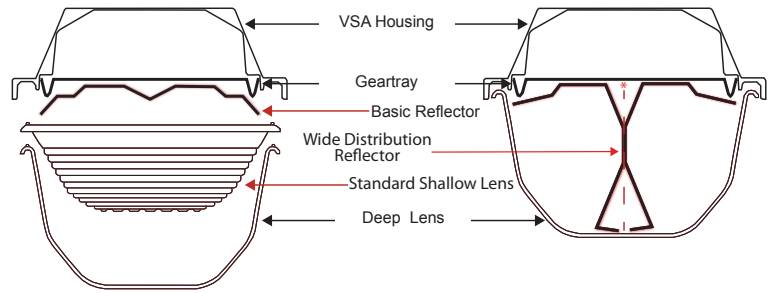
Options Available

Project:	
Catalog#:	
Approved by:	

Basic Reflector



Wide Distribution Reflector
For 2-lamp versions only



Deep Lens, Impact Resistant Clear Acrylic with diffused ends
Can be used with:
FIO Option W
Wide Distribution Reflector
FIO Option G*
Garage Configuration with Miro-4 reflector.

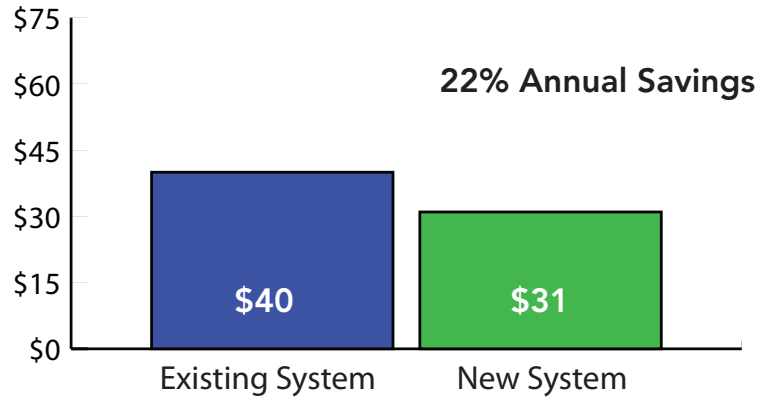
Frosted Acrylic Lens Option F
Can be used with
Wide Distribution Reflector
FIO Option W



VS-CB Chain Bail
(2 needed per fixture, order separately)

* Garage Application reflector works with 3 lamp configuration and Deep Lens options only.

Energy Cost Estimator					
		Existing System		New System	
		M2/40RS-277		VSA4A232ASE Standard Ballast Factor Fluorescent Strip	
Hours burned per year	4368	Number of Fixtures	1	Number of Fixtures	1
Cost per kWh\$	0.12	Watts per Fixture (existing system)	77	Watts per Fixture (new system)	59
Energy Cost Estimation		Energy used per year (existing system)	\$40	Energy used per year (new system)	\$31
		Energy saving per year (per fixture)		\$9.43	



Howard Industries provides this tool to examine the potential impact of lighting decisions. This tool provides an ESTIMATE only. The analysis of this tool does not warrant or guarantee the actual costs or savings that will be realized as the analysis suggested. You can find the full version of this cost saving tool at the Howard Lighting Website—www.howardlightingproducts.com. Click "Cost of Ownership Calculator".
Copyright (c) 2008 Howard Industries All Rights Reserved.

Specifications subject to change without notice.

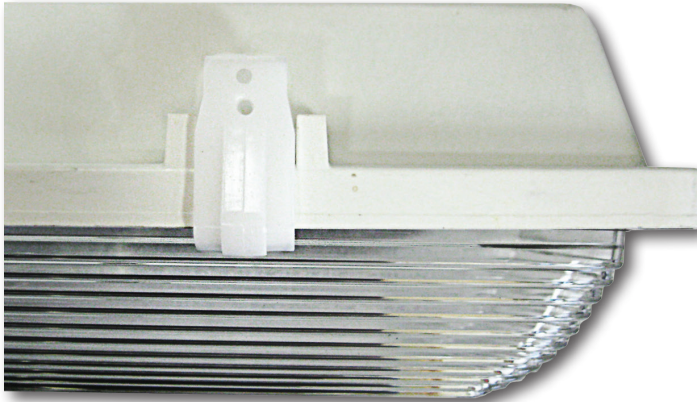
2/22/2015

Vaporproof Fluorescent

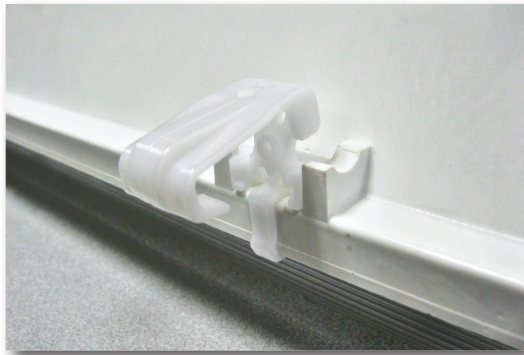
Hardware - Latches

Project:	
Catalog#:	
Approved by:	

White Plastic



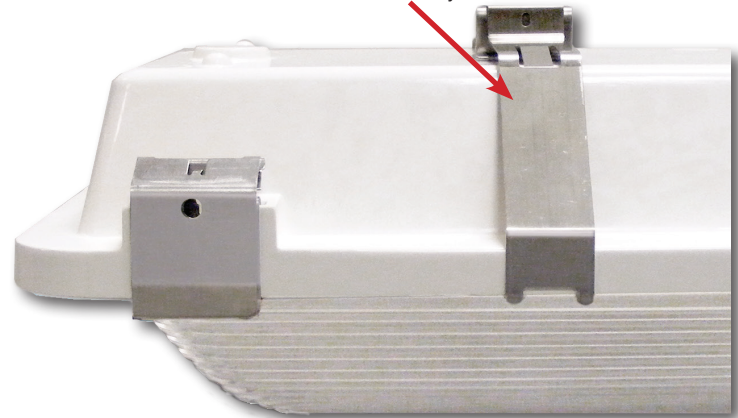
White Plastic Latch locks open during maintenance



Stainless Steel

- withstands corrosive environments

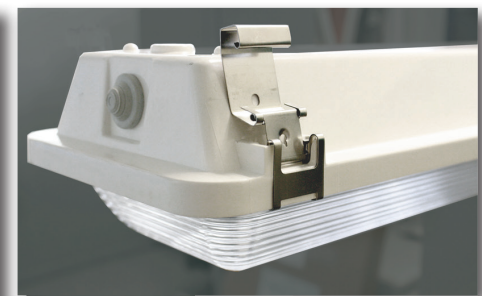
Stainless Steel Mounting Brackets come standard with every fixture



Captive Keeper secures latch to housing preventing accidental loss of latch



Keeper



Latch Features:

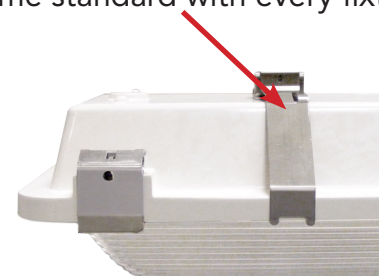
Latches can be made Tamper Resistant with the addition of locking screws*

- White Plastic #4-32 x 1/2" Screws
- Stainless Steel #6-32 x 3/8" Screws

**Screws not included with the fixture

Stainless Steel Mounting Brackets (Model# VSAX-MB-2L-2)

Come standard with every fixture

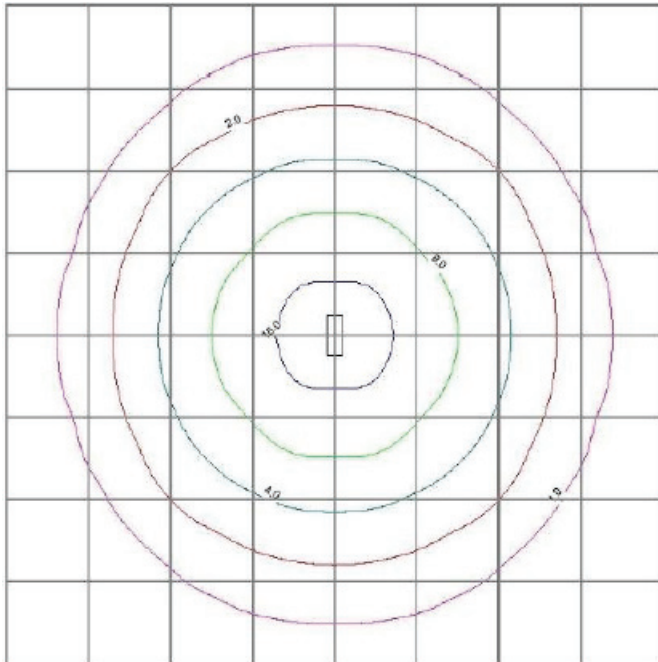


Specifications subject to change without notice.

2/22/2015

Vaporproof Fluorescent

Iso Footcandle Plot



16' Mounting Height
Ballast: EPH2/32IS/MV/MC/HE (High Ballast Factor)
Lamps: Two Howard F32T8/841/ECO/IC

Project:	
Catalog#:	
Approved by:	

Operating Temperatures

Number of Lamps	Lamp Type	Ballast Factor	Acceptable Temperature Range C (min-max)	Acceptable Temperature Range F (min-max)
2	T5	Standard	-30 to 35	-20 to 95
3	T5	Standard	-30 to 25	-20 to 77
2	T8	High	-17 to 35	0 to 95
3	T8	High	-17 to 25	0 to 77
2	T8	Standard	-17 to 45	0 to 115
3	T8	Standard	-17 to 30	0 to 85

Zonal Lumen Summary

Zone	Lumens	%Lamp	%Fix
0-30	4080	22	28
0-40	6613	36	46
0-60	11426	61	79
0-90	14472	78	100.00
0-180	14472	78	100.00

Coefficients of Utilization - Zonal Cavity Method

Effective Floor Cavity Reflectance 0.20															
RC	80				70				50			30			10
RW	70	50	30	10	70	50	30	10	50	30	10	50	30	10	0
0	93	93	91	91	91	91	87	87	87	83	83	83	80	80	80
1	78	75	83	79	76	73	76	73	71	73	71	69	66	66	66
2	65	61	75	69	64	60	66	62	59	64	60	57	55	55	55
3	56	51	68	61	55	50	59	53	49	56	52	48	46	46	46
4	48	43	63	54	48	43	52	47	42	50	45	42	39	39	39
5	42	37	58	48	42	37	47	41	37	45	40	36	34	34	34
6	37	32	53	44	37	32	42	36	32	41	36	32	30	30	30
7	34	29	50	40	33	29	38	33	28	37	32	28	26	26	26
8	30	26	46	36	30	26	35	30	25	34	29	25	24	24	24
9	27	23	43	33	27	23	32	27	23	32	26	23	21	21	21
10	25	21	41	31	25	21	30	25	21	29	24	21	19	19	19

Specifications subject to change without notice.